



ORTOSINTESE

PARAFUSO TRANSFISÁRIO Diverging Screw

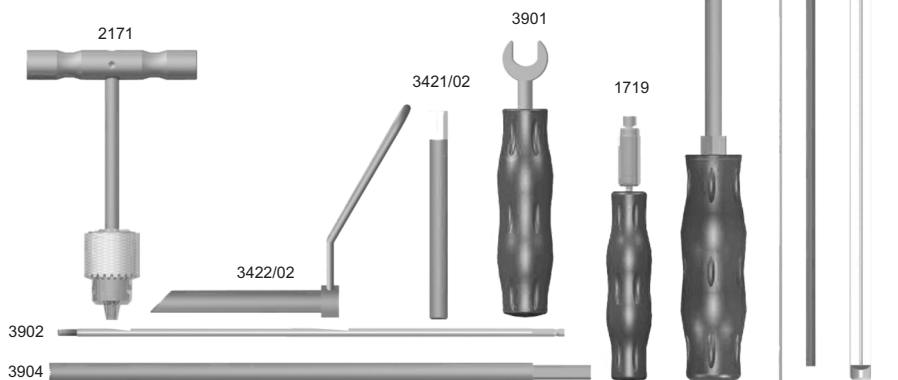
Inox
Stainless Steel
ISO 5832-1
ASTM F.138

3891



PARAFUSO TRANSFISÁRIO
Diverging Screw

REF.	Ø mm
3891/01	7 x 50
/02	7 x 55
/03	7 x 60
/04	7 x 65
/05	7 x 70
/06	7 x 75
/07	7 x 80
/08	7 x 85
/09	7 x 90
/10	7 x 95
/11	7 x 100
/12	7 x 105
/13	7 x 110
/14	7 x 115
/15	7 x 120



1719	CABO COM ENGATE RÁPIDO <i>Quick Couplings Handle</i>		
2171	CHAVE "T" P/ INSERÇÃO E REMOÇÃO DE FIOS <i>"T" Wrench With Chuck</i>	3900	CHAVE SEXTAVADO INTERNO 6mm CANULADO <i>Cannulated inner hex head wrench</i>
2609/02	BROCA CANULADA Ø 5,2X280 mm <i>Cannulated Drill</i>	3901	ALAVANCA DE TORQUE <i>Torque lever</i>
3420/02	MEDIDOR 300mm <i>Gauge</i>	3902	HASTE DO FIXADOR DE PARAFUSO <i>Screw Fixer Rod</i>
3421/02	GUIA DO FIO <i>Wire Guide</i>	3904	TREFINA Ø 8,0 mm <i>Trepine</i>
3422/02	GUIA DO MACHO <i>Tap Guide</i>	7011/02	FIO COM ROSCA NA PONTA Ø2X300 mm <i>Threaded Wire</i>