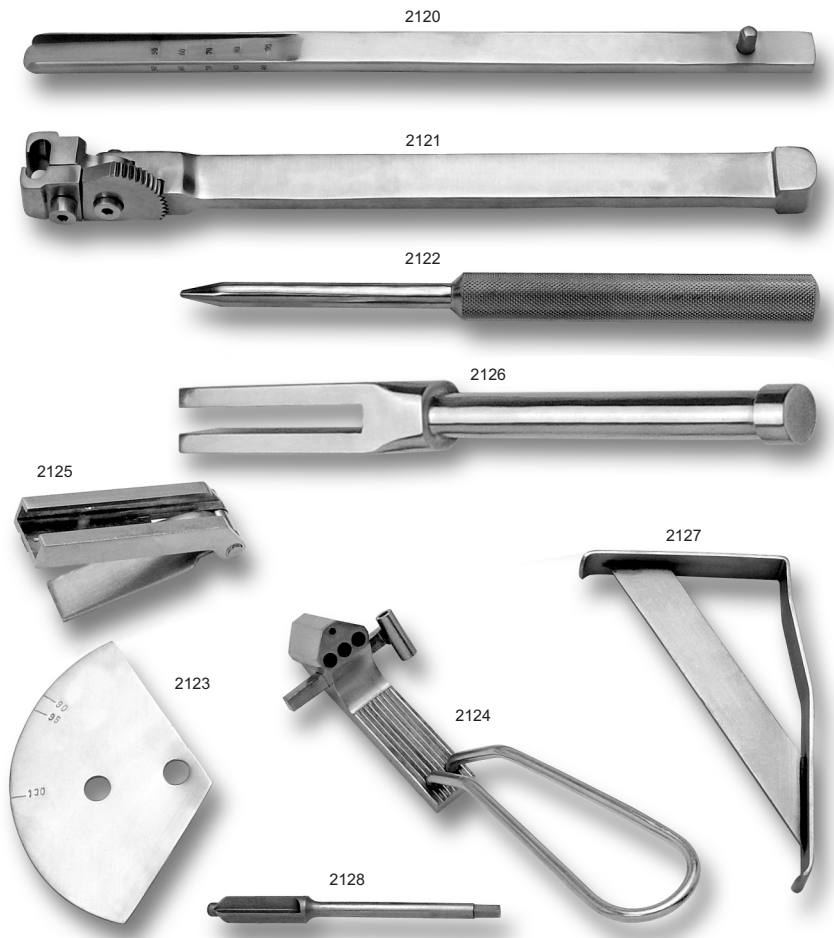




**ORTOSINTESE**

## INSTRUMENTAL PARA PLACA ANGULADA *Angled Plate Instrument*



2120	CINZEL INICIAL <i>Initial Osteotome</i>
2121	IMPACTOR EXTRATOR DE ANGULADOR <i>Impactor Extractor</i>
2122	IMPACTOR <i>Angulated Final Impactor</i>
2123	GUIA <i>Guide</i>
2124	GUIA TRÍPLICE <i>Triple Guide</i>

2125	GUIA <i>Chisel Guide</i>
2126	PROPULSOR DO IMPACTOR <i>Extractor Impactor</i>
2127	GUIA DA PLACA CONDILAR <i>Condylar Plate Guide</i>
2128	FRESA <i>Reamer</i>