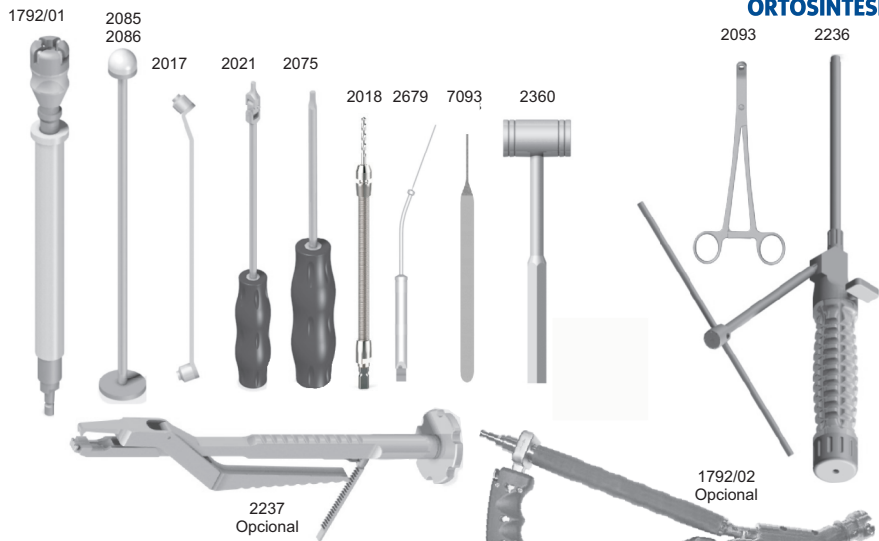


INSTRUMENTAL PARA PRÓTESE DE QUADRIL SEM CIMENTO MULTI-LOCK

Multi-Lock Cementless Hip Prosthesis Instruments



ORTOSINTESE



PROVA ACETABULAR

Acetabular Trial

Ø22 MM		Ø32 MM	
2090/01	44	2090/16	52
/02	46	/17	54
Ø28 MM		/18	56
2090/03	48	/19	58
/04	50	/20	60
/05	52	/21	62
/06	54		
/07	56		
/08	58		
/09	60		
/10	62		

GUIA MEDIDOR ACETABULAR

Guide Gauge Acetabular

REF.	Ø MM
2019/01	44
/02	46
/03	48
/04	50
/05	52
/06	54
/07	56
/08	58
/09	60
/10	62

FRESA ACETABULAR

Acetabular Reamer

REF.	Ø mm
7095/01	38
/02	39
/03	40
/04	41
/05	42
/06	43
/07	44
/08	45
/09	46
/10	47
/11	48
/12	49
/13	50
/14	51
/15	52
/16	53
/17	54
/18	55
/19	56
/20	57
/21	58
/22	59
/23	60
/24	61
/25	62



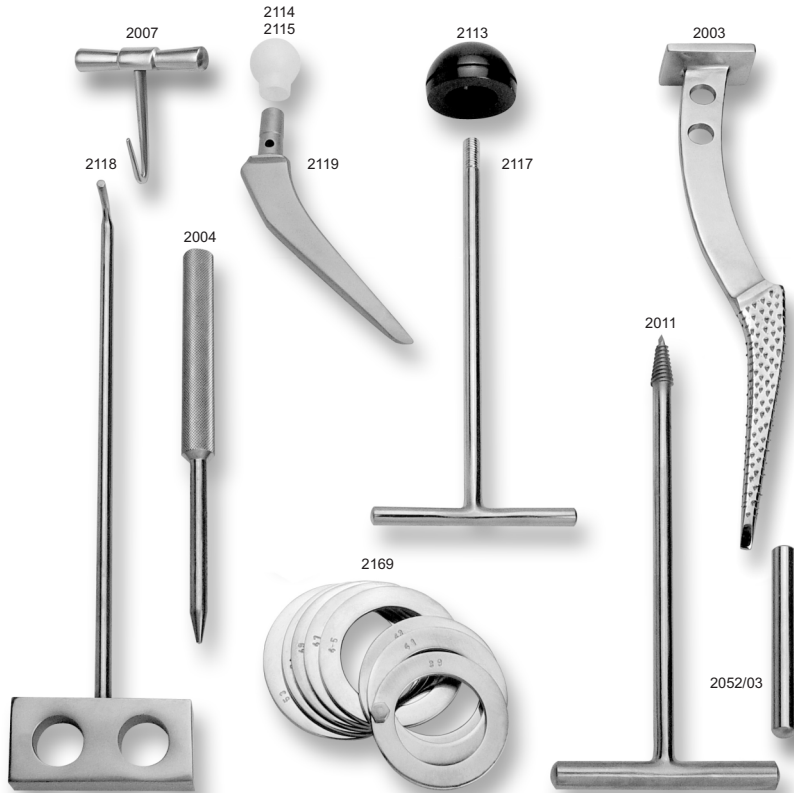
1792/01	GUIA DA FRESA Reamer Guide
1792/02	POSICIONADOR DE FRESA ACETABULAR (OPCIONAL) Acetabular Reamer Guide
2017	GUIA DE BROCA Drill Guide
2018	BROCA FLEXÍVEL Ø 3,2mm Flexible Drill Ø3,2mm
2018/01	HASTE FLEXÍVEL PARA BROCA INTERCAMBIÁVEL Flexible Stem for Interchangeable Drill
2018/02	BROCA Ø 3,2 X30mm INTERCAMBIÁVEL Interchangeable Drill 3,2 x 30mm
2018/03	BROCA Ø 3,2 X35mm INTERCAMBIÁVEL Interchangeable Drill 3,2 x 35mm
2021	CHAVE COM JUNTA UNIVERSAL Joint Universal Screwdriver
2075	CHAVE SEXTAVADA Ø3,5 mm Hexagonal Screwdriver

2085	IMPACTOR DE INSERTO 22 mm Insert Impactor
2086	IMPACTOR DE INSERTO 28 mm Insert Impactor
2093	PINÇA PORTA PARAFUSO Screw Forceps
2236	GUIA ACETABULAR Acetabular Guide
2237	EXTRATOR ACETABULAR Acetabular Extrator
2360	MARTELO DE AÇO INOXIDÁVEL 500g Stainless Steel Mallets 500g
2679	MEDIDOR DE PROFUNDIDADE FLEXÍVEL Flexible Depth Gauge
7093	MEDIDOR DE PROFUNDIDADE Depth Gauge

7095/01 a /06 são opcionais

INSTRUMENTAL PARA PRÓTESE DE QUADRIL BIPOLAR

Bipolar Hip Prosthesis Instruments



FRESA Broach

REF.	Tamanho / Size
2003/01	7,5
/02	10,0
/03	12,5
/04	15,0
/05	17,5
/06	20,0

MEDIDOR DE CÁPSULA BIPOLAR Bipolar Cup Size Gauge

REF.	Ø mm
2113/01	39
/02	41
/03	43
/04	45
/05	47
/06	49
/07	51
/08	53

MEDIDOR FEMORAL Femoral Gauge

REF.	Tamanho / Size
2119/01	7,5
/02	10,0
/03	12,5
/04	15,0
/05	17,5
/06	20,0

MEDIDOR DE PROVA Trial Gauge

REF.	Ø mm	COMPR. COLO	Neck Length
2114/01	22	MÉDIO	Medium
/02	22	LONGO	Long
2115/01	28	CURTO	Short
/02	28	MÉDIO	Medium
/03	28	LONGO	Long

2004	IMPACTOR Impactor
2007	CHAVE Wrench
2011	EXTRATOR LONGO DE CABEÇA FEMORAL Large Femoral Head Extractor
2052/03	PINO DE EXTRAÇÃO Extraction Pin
2117	CHAVE "T" "T" Wrench
2118	EXTRATOR DE HASTE Rod Extractor
2169	MEDIDOR DE CABEÇA DE FÊMUR Femur Head Gauge