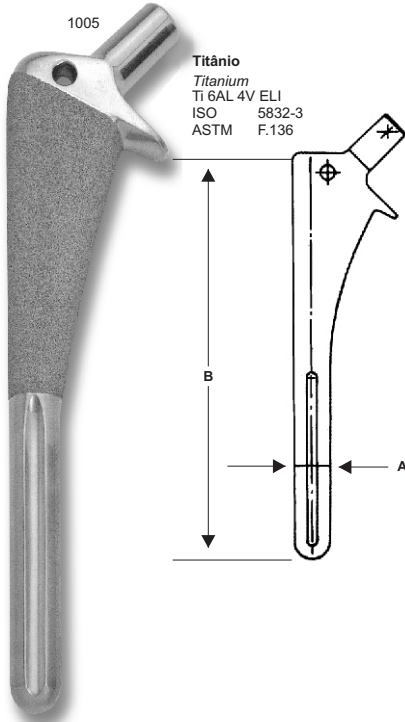


PRÓTESE DE QUADRIL SEM CIMENTO

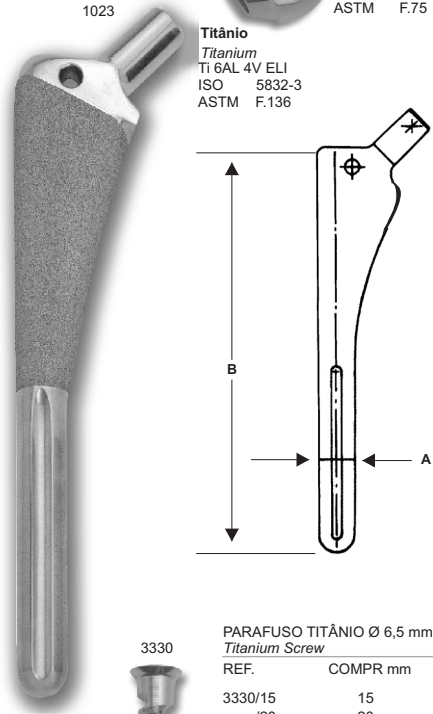
Cementless Hip Prosthesis Replacement



ORTOSINTESE



Titânio
Titanium
Ti 6AL 4V ELI
ISO 5832-3
ASTM F.136



Titânio
Titanium
Ti 6AL 4V ELI
ISO 5832-3
ASTM F.136



1088
1091
Cr Co Mo
ASTM F.75

CABEÇA INTERCAMBIÁVEL

Interchangeable Head

Cone STD	Ømm	COMPR.	Length
1091/01	22	NORMAL	Medium
/02	22	LONGO	Long
1088/01	28	CURTO	Short
/02	28	NORMAL	Medium
/03	28	LONGO	Long
/04	28	EXTRA LONGO	Extra Long

3330



PARAFUSO TITÂNIO Ø 6,5 mm
Titanium Screw

REF.	COMPR mm
3330/15	15
/20	20
/25	25
/30	30
/35	35
/40	40
/45	45
/50	50
/55	55
/60	60

PRÓTESE FEMORAL C/ PLASMA SPRAY

Femoral Prosthesis With Plasma Spray

REF.	A Ø mm	B COMPR. mm
1023/10	10	130
/11	11	135
/12	12	140
/13	13	145
/14	14	150
/15	15	155
/16	16	160
/17	17	165
/18	18	170

PRÓTESE FEMORAL C/ PLASMA SPRAY

Femoral Prosthesis With Plasma Spray

REF.	A Ø mm	B COMPR. mm
1005/10	10	130
/11	11	135
/12	12	140
/13	13	145
/14	14	150
/15	15	155
/16	16	160
/17	17	165
/18	18	170